

Guide-Rails: Vertical

For vertical application

For fixing onto existing ladders or climbing irons. Comes with joint plate. Mounting brackets extra to order. Maximum mounting distance: 1680 mm. Installation of bracket to rail is carried out through the rectangular cut outs in the back of the guide-rail. Maximum section length: 4480 mm.

Anodized aluminium

Rail profile: 52 x 33 mm

Weight: 1,2 kg per metre

Part No. FS-SAL-<length in mm>

Galvanized steel

Rail profile: 50 x 32 mm

Weight: 3,2 kg per metre

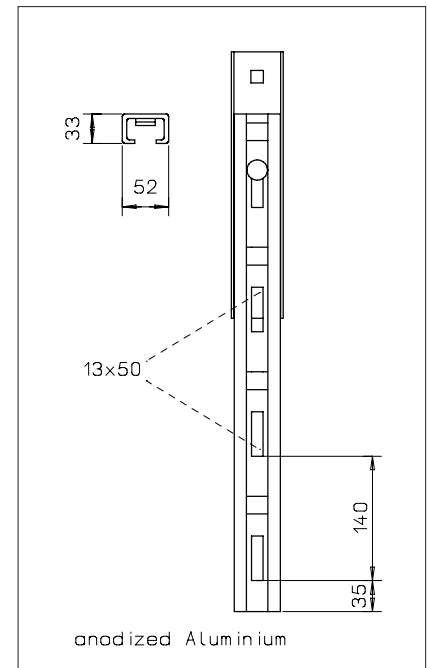
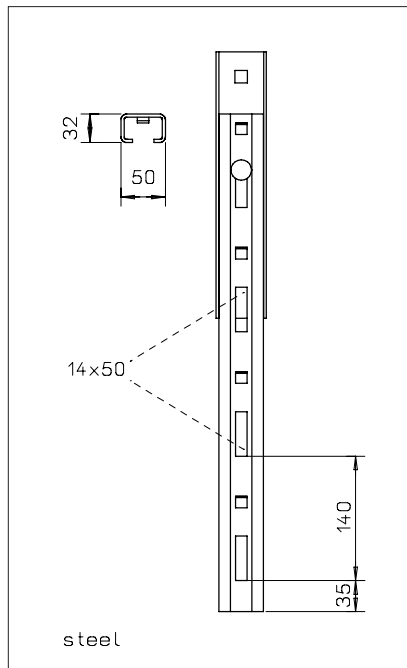
Part No. FS-SST-<length in mm>

Stainless steel, pickled

Rail profile: 50 x 32 mm

Weight: 3,2 kg per metre

Part no. FS-SA4-<length in mm>



Bending

See page C 2.



Technical specifications are subject to change without notice.

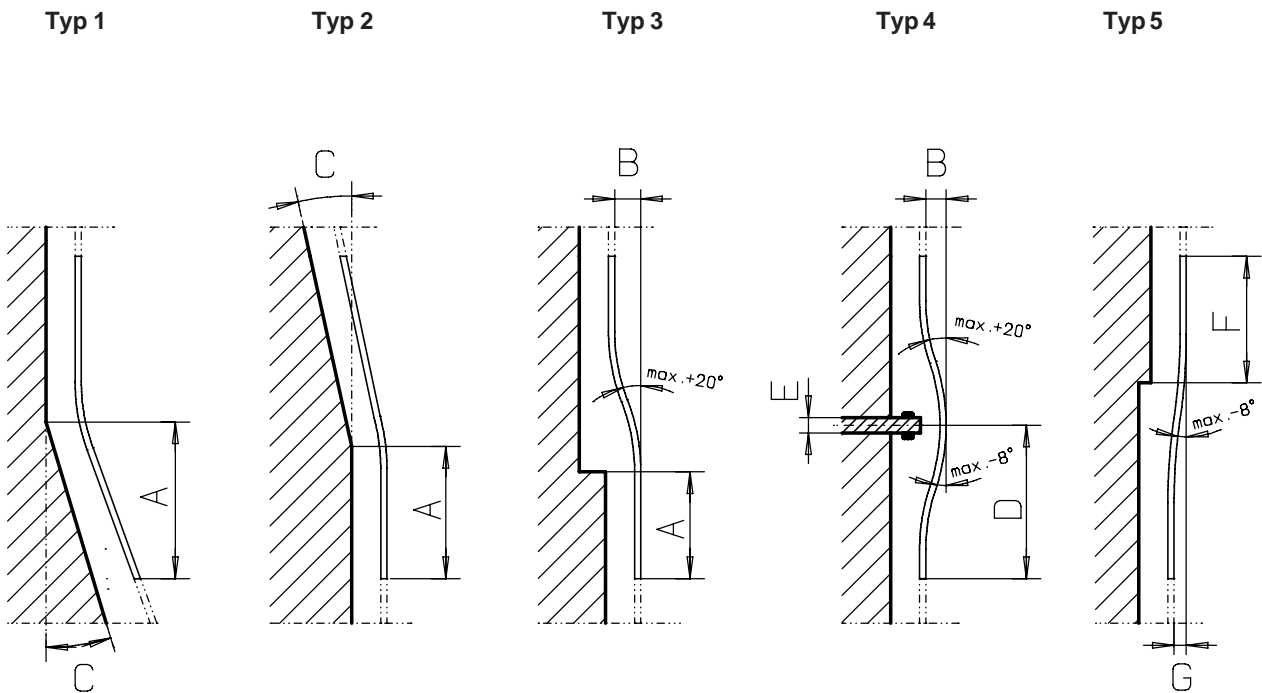
Smallest radii for guide-rails, made of aluminium, galvanized/ stainless steel, shown in mm:

Part No.	Page	Article	Minimum radius in mm
FS-SAL	C 1	Anodized aluminium	2250
FS-SST	C 1	Galvanized steel	1000
FS-SA4	C 1	Stainless steel pickled	1000

Important information for planning:

Guide rail, Aluminium
 Guide rail, Galvanized steel
 Guide rail, Stainless steel pickled

Part No. FS-SAL-<Typ>
 Part No. FS-SST-<Typ>
 Part No. FS-SA4-<Typ>



A = Bottom edge of ladder to salient point of structure
 B = Of-set (mm)
 C = Angle (max. 15°)
 D = Bottom edge to centre of obstruction

E = Width of obstruction
 F = Upper edge of ladder to off-set
 G = Of-set (max. 260 mm)

The length of the bend depends on the bending radius and on the angle (type 1 + 2) and/or off-set (typed 3 - 5).

Technical specifications are subject to change without notice.

Guide Rails: Vertical End-Stops

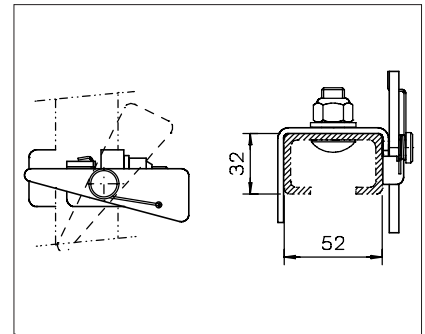
Top End-Stop, spring activated

Prevents the fall arrester from either being inserted incorrectly or accidentally slipping out of the guide-rail. For fitting to the very top of the rail system. Comes with all fixings.

Stainless steel, pickled

Weight: 0,2 kg/each

Part No. 21050



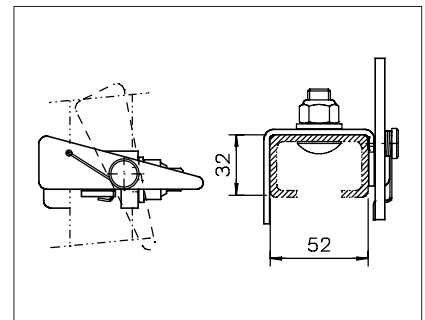
Bottom End-Stop, spring activated

Prevents the fall arrester from either being inserted incorrectly or accidentally slipping out of the guide-rail. For fitting to the very beginning of the rail system. Comes with all fixings.

Stainless steel, pickled

Weight: 0,2 kg/each

Part No. 21049



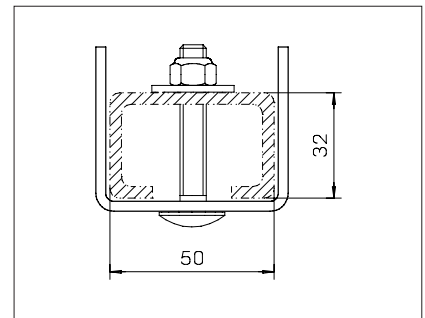
Rigid End-Stop

Does not allow the fall arrester being taken out of the very top ladder section. Comes with all fixings.

Stainless steel, pickled

Weight: 0,2 kg/each

Part No. 11634



Technical specifications are subject to change without notice.

Guide Rails: Vertical Mounting-Brackets

Shim

to compensate for different heights of individual rungs. Clamping rail screw length must be adapted as necessary.

Galvanized steel

t = 5 mm
Weight: 0,4 kg/each
Part No. 18861

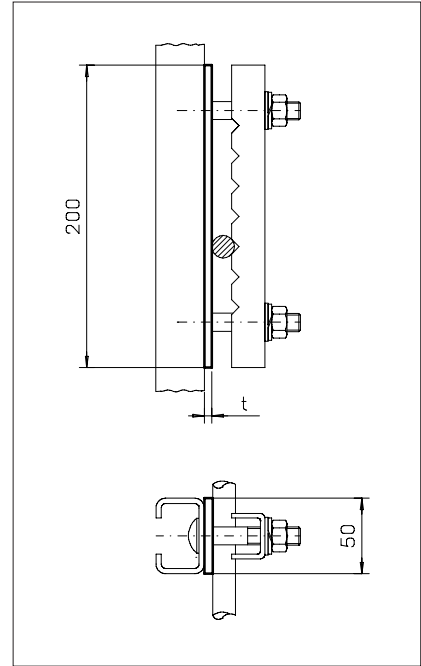
t = 3 mm
Weight: 0,23 kg/each
Part No. 18860

Stainless steel, pickled

t = 5 mm
Weight: 0,4 kg/each
Part No. 18863

t = 3 mm
Weight: 0,25 kg/each
Part No. 18862

t = 2 mm
Weight: 0,15 kg/each
Part No. 18859

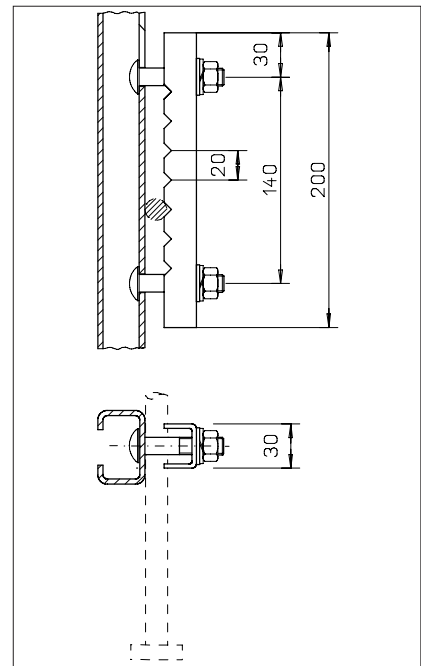


Clamp

For fixing onto the center rungs of existing ladders, or climbing irons. Comes with all installation elements. Support structure must be checked for sufficient strength.

Weight: approx. 0,5 kg/each

Galvanized steel	Part-No.
Bolt dimension M 12 x 70 For rung diameter up to 25 mm	10903
Bolt dimension M 12 x 80 For rung diameter 26 up to 35 mm	14804
Bolt dimension M 12 x 90 For rung diameter 36 up to 45 mm	14805
Bolt dimension M 12 x 100 For rung diameter 46 up to 55 mm	14806
Bolt dimension M 12 x 120 For rung diameter 56 up to 70 mm	14807
Stainless steel, pickled	Part-No.
Bolt dimension M 12 x 70 For rung diameter up to 25 mm	14809
Bolt dimension M 12 x 80 For rung diameter 26 up to 35 mm	14813
Bolt dimension M 12 x 90 For rung diameter 36 up to 45 mm	14814
Bolt dimension M 12 x 100 For rung diameter 46 up to 55 mm	14815
Bolt dimension M 12 x 120 For rung diameter 56 up to 70 mm	14816



Technical specifications are subject to change without notice.

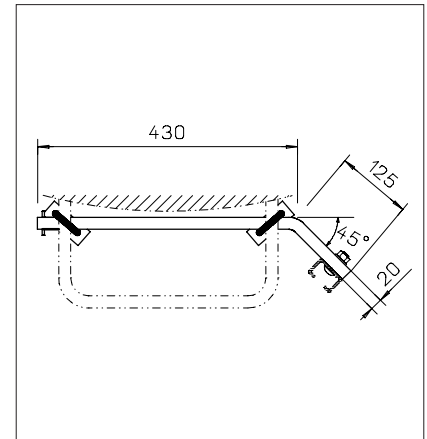
Guide-Rails: Vertical Mounting Brackets

Bracket

Used for fixing of guide-rails onto the side of climbing irons. Comes with all installation elements. For step irons of 20- 25 mm diameter.

Galvanized steel
Weight: 1,6 kg/each
Part No. 11319

Stainless steel, pickled
Weight: 1,6 kg/each
Part No. 17989



Clamp

For clamping guide-rails to flat iron side members of already mounted ladders. Comes with all installation elements.

Standard:
Dimension "b" = max. 60 mm
Dimension "h" = max. 15 mm

Galvanized steel
Weight: 1,6 kg/each
Part No. 11382

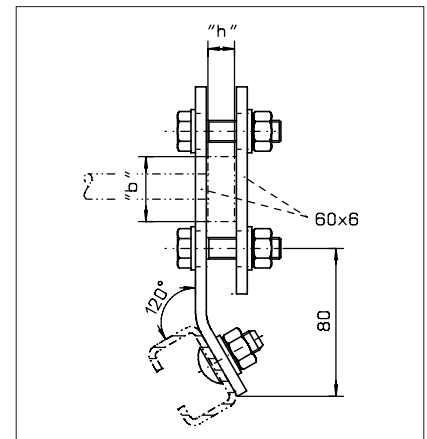
Stainless steel, pickled
Weight: 1,6 kg/each
Part No. 16847

Special version:
when ordering please indicate dimension "h" and "b".

Weight: upon request

Galvanized steel
Part No. 19091

Stainless steel, pickled
Part No. 21284



Technical specifications are subject to change without notice.

Guide-Rails: Vertical Mounting Brackets

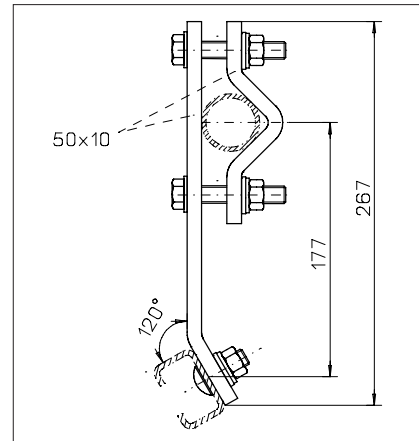
Bracket

For clamping guide-rails to round iron side members diameter 35 -70 mm of already mounted ladders. Comes with all installation elements.

Galvanized steel

Weight: 1,9 kg/each

Part No. 18363



Bracket

For fastening guide-rails onto a structure, e.g. between step irons. Comes with installation elements for fixing guide-rail to bracket. Support structure must be checked for sufficient strength.

Galvanized steel

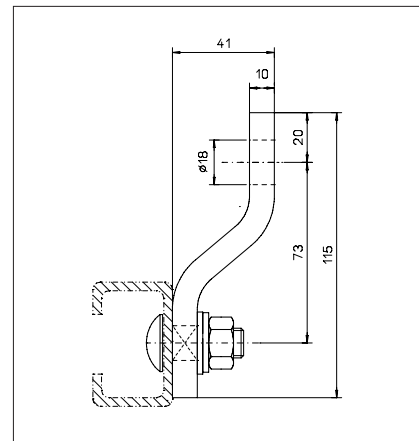
Weight: 0,6 kg/each

Part No. 11102

Stainless steel, pickled

Weight: 0,6 kg/each

Part No. 16838



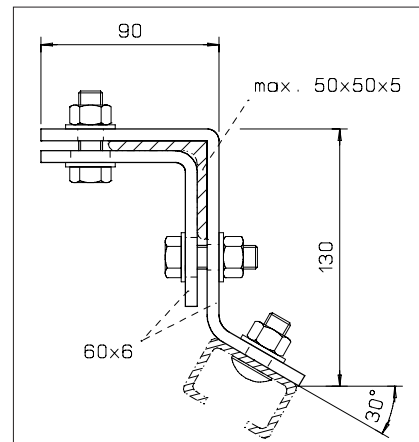
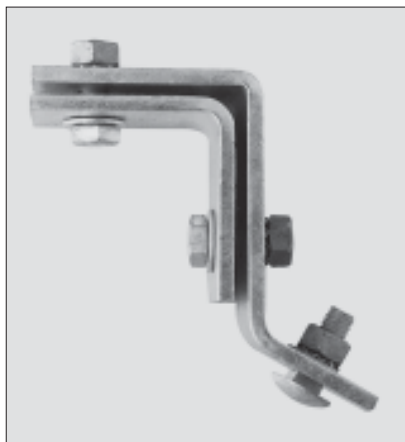
Bracket

For fixing guide-rails onto side-corner struts of existing ladders. Comes with all installation elements.

Galvanized steel

Weight: 1,3 kg/each

Part No. 17228



Technical specifications are subject to change without notice.

Guide-Rails: Vertical Footrests

Footrest for Chimneys

For installation on climbing irons with diameter max. 20mm. Pivots laterally. Comes with all installation elements.

Galvanized steel

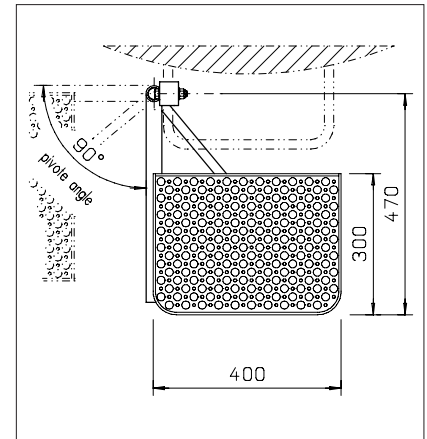
Weight: 14,5 kg/each

Part No. 16124

Stainless steel, pickled

Weight: 14,5 kg/each

Part No. 18008



Pivotable Footrest

For use on ladders with side-rails made of flat iron up to an iron width of 50 mm. Comes with all installation elements.

Weight: 19 kg/each

Hinge on left side

Galvanized steel

Part No. 21516

Stainless steel, pickled

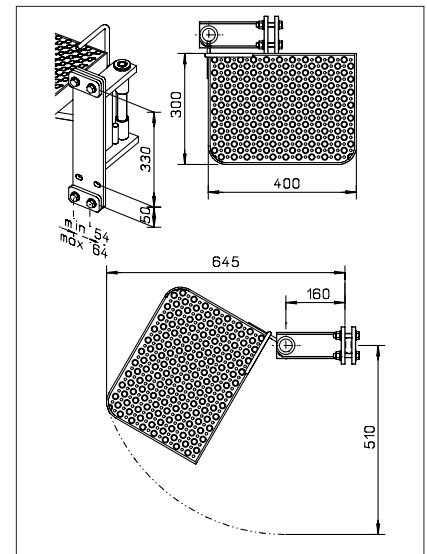
Part No. 23430

Hinge on right side

Galvanized steel

Part No. 21520

Stainless steel, pickled upon request



Folding Footrest

Unfolds to allow unrestricted climber access. Complete with fixings. The distance between rungs shall be min. 220 mm. Max. rung diameter: 30 mm.

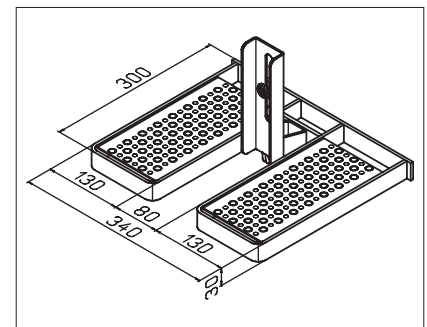
Galvanized steel

Weight: 4,6 kg/each

Part No. 23724

Stainless steel, pickled upon request

Footrests for climbing paths with reinforcement upon request.



Technical specifications are subject to change without notice.

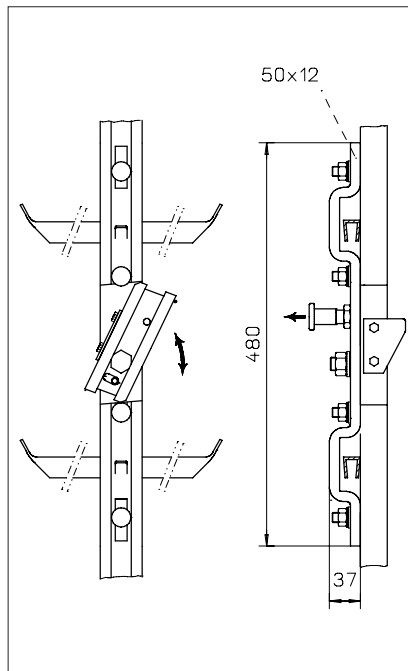
Guide-Rails: Vertical Exit Section

Exit Section

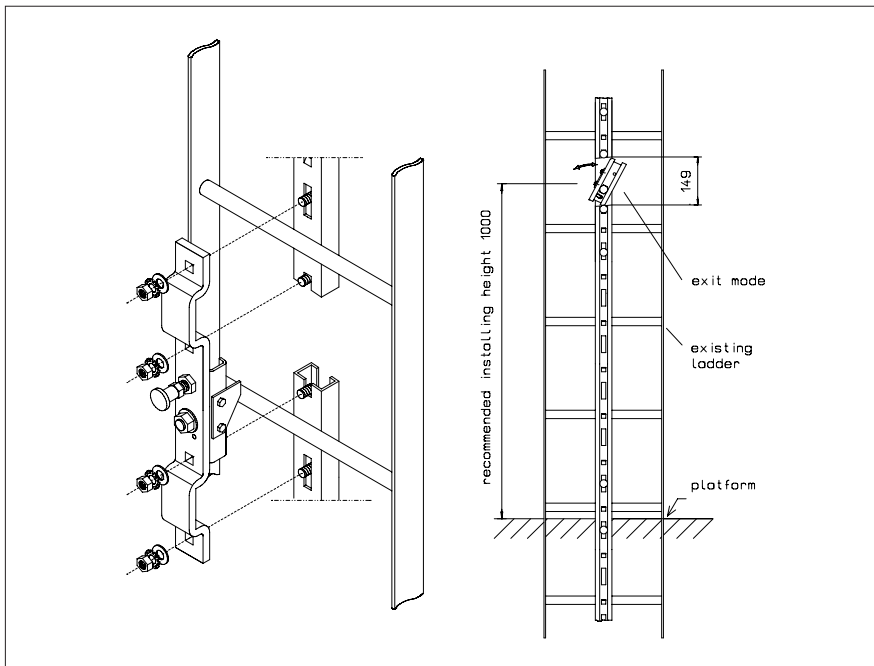
Used for secure removing/inserting the fall arrester from/into the guide-rail, e.g. on platforms. Suitable for rung spacing of 250 - 320 mm with max. rung diameter of 24 mm. Special sizes on request. In this case please enclose sketch with ladder cross-section, see page C 11. A single-way assembly aid is part of the scope of supply.

Galvanized steel
Weight: 3,4 kg/each
Part No. 11317

Stainless steel, pickled
Weight: 3,4 kg/each
Part No. 16978



- Recommended installing height above platform: ca. 1.000 mm.



Technical specifications are subject to change without notice.

Guide-Rails: Vertical Accessories

Turntable

For safe transfer from vertical to horizontal.
Made of stainless steel plate and aluminium rail section. Please specify the profile of the horizontal and vertical guide-rail.

Weight: 2,6 kg/each

Stainless steel, pickled

Bending radius horizontal guide rail > 1000 mm

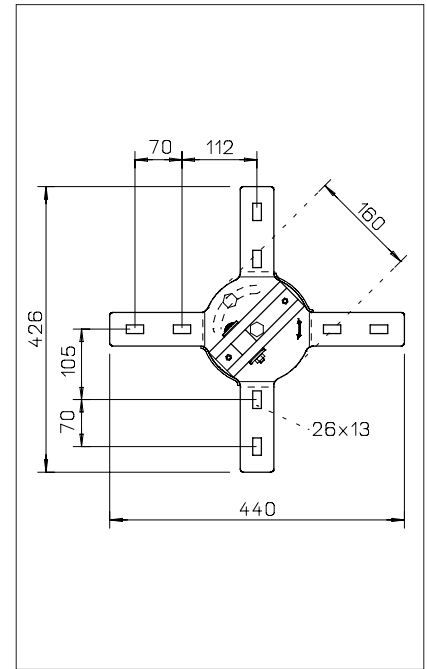
Part No. 11607

Bending radius horizontal guide rail < 1000 mm

Part No. 20349

Cost for mounting turntable

Part No. 16884



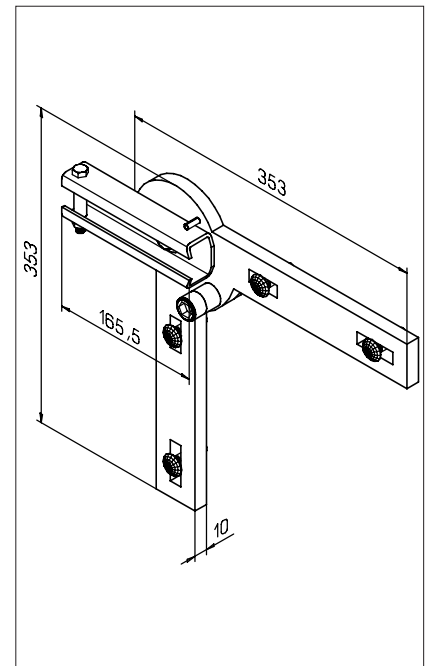
Ho-Ver turn table

For safe change of travel direction from vertical to horizontal to vertical travel. The direction of travel can only be changed to the left or to the right. Consult Söll technical support department for other installation combinations.

Weight: 5,0kg per 1 unit

Stainless steel pickled

Part No. 22322



Technical specifications are subject to change without notice.

Guide Rails: Vertical Accessories

Mounting bracket with adjustable projection

Projection: 120 mm up to 160 mm. Comes with all installation elements. To be used for mounting turntable Part No. 11607 only.

Galvanized steel

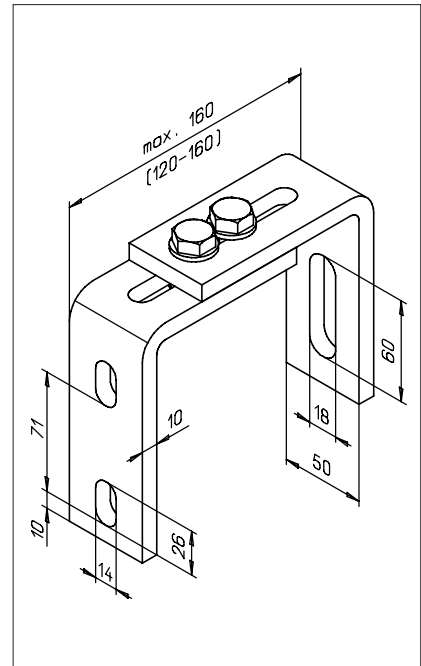
Weight: 1,6 kg/each

Part No. 10867

Stainless steel, pickled

Weight: 1,6 kg/each

Part No. 11591



Mounting bracket with adjustable projection

Projection: 160 mm up to 200 mm. Comes with all installation elements. To be used for mounting turntable Part No. 11607 only.

Galvanized steel

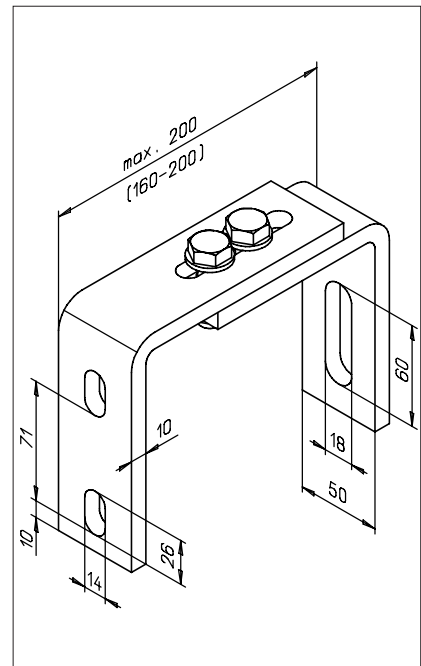
Weight: 1,8 kg/each

Part No. 10869

Stainless steel, pickled

Weight: 1,8 kg/each

Part No. 15250



Technical specifications are subject to change without notice.

Guide-Rails: Vertical Accessories

Reinforcement/Strengthening

Is required, when the distance between last mounting point and top-end of the rail exceeds 380 mm. It must be bolted onto the guide-rail at a distance of 560 mm and must extend down over at least two mounting brackets. Square tube 50 x 30 x 3 mm or 50 x 50 x 4 mm. Comes with all installation elements.

Galvanized steel

Weight: 3,3 kg per metre

Part No. HV-ST-<length in mm>

Stainless steel, pickled

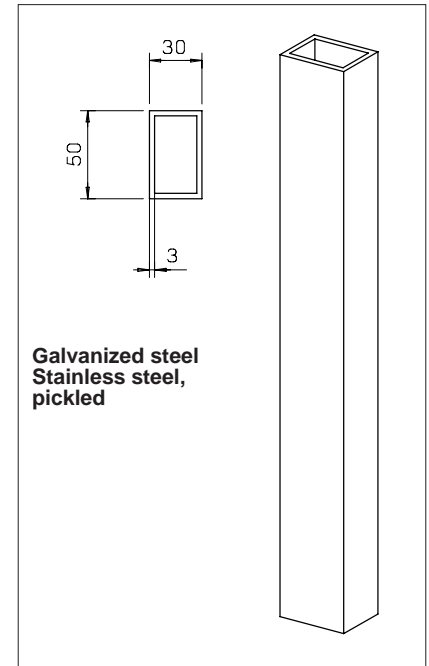
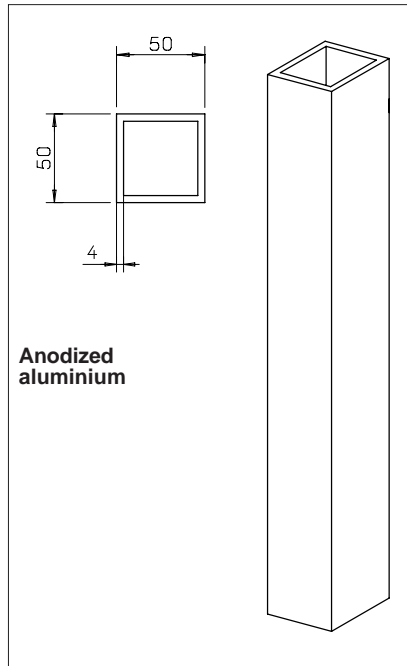
Weight: 3,3 kg per metre

Part No. HV-A4-<length in mm>

Anodized aluminium

Weight: 1,9 kg per metre

Part No. HV-AL-<length in mm>



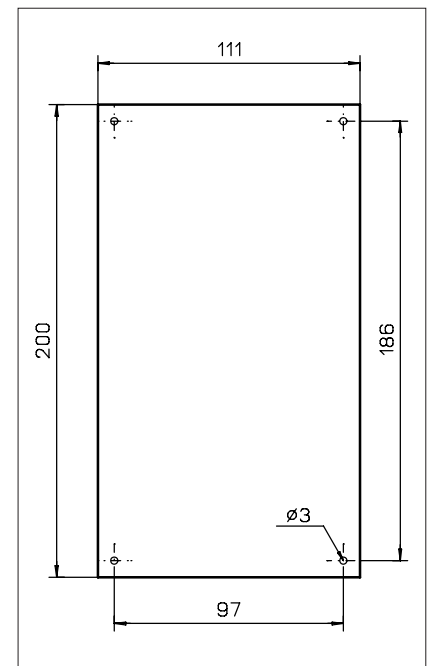
Identification plate

for Fall Protection Systems - Guide Rails.

Part No. 19878 not graved

engraved

Part No.	Denomination
20866	Guide Rails Alu
20867	Guide Rails Galvanized Steel
20868	Guide Rails Stainless Steel



Technical specifications are subject to change without notice.

Guide-Rails: Vertical Accessories

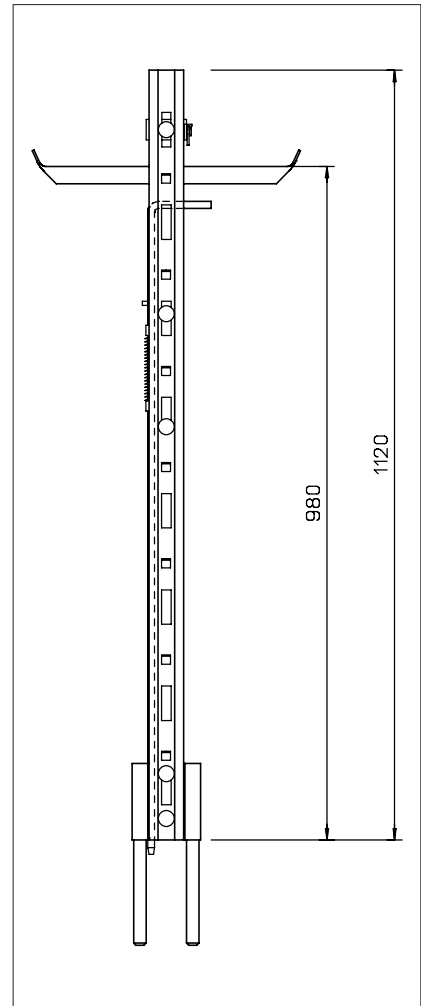
Shaft Entering Device

For safe entry into manholes. The device is inserted into the female coupling on the top of the guide-rail in the manhole. This device can be moved from one manhole ladder to another.

Stainless steel, pickled

Weight: 8,0 kg/each

Part No. 17065



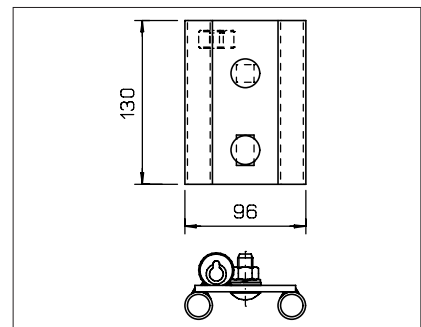
Female Coupling for Shaft Entering Device

This device is fixed to the top of the guide-rail in the manhole.

Stainless steel, pickled

Weight: 0,8 kg/each

Part No. 16191



Technical specifications are subject to change without notice.