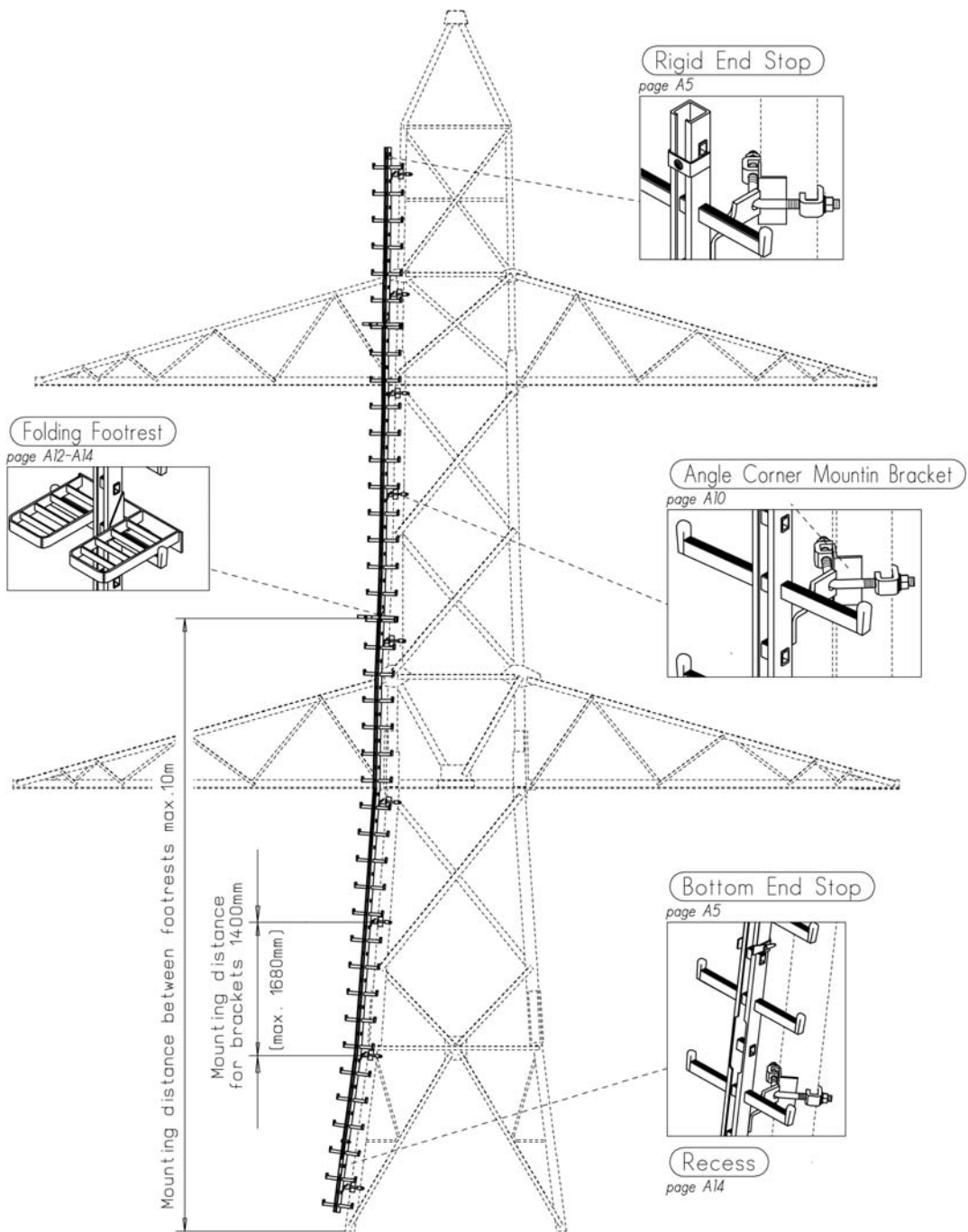


# Safety Ladders: Made of Aluminium

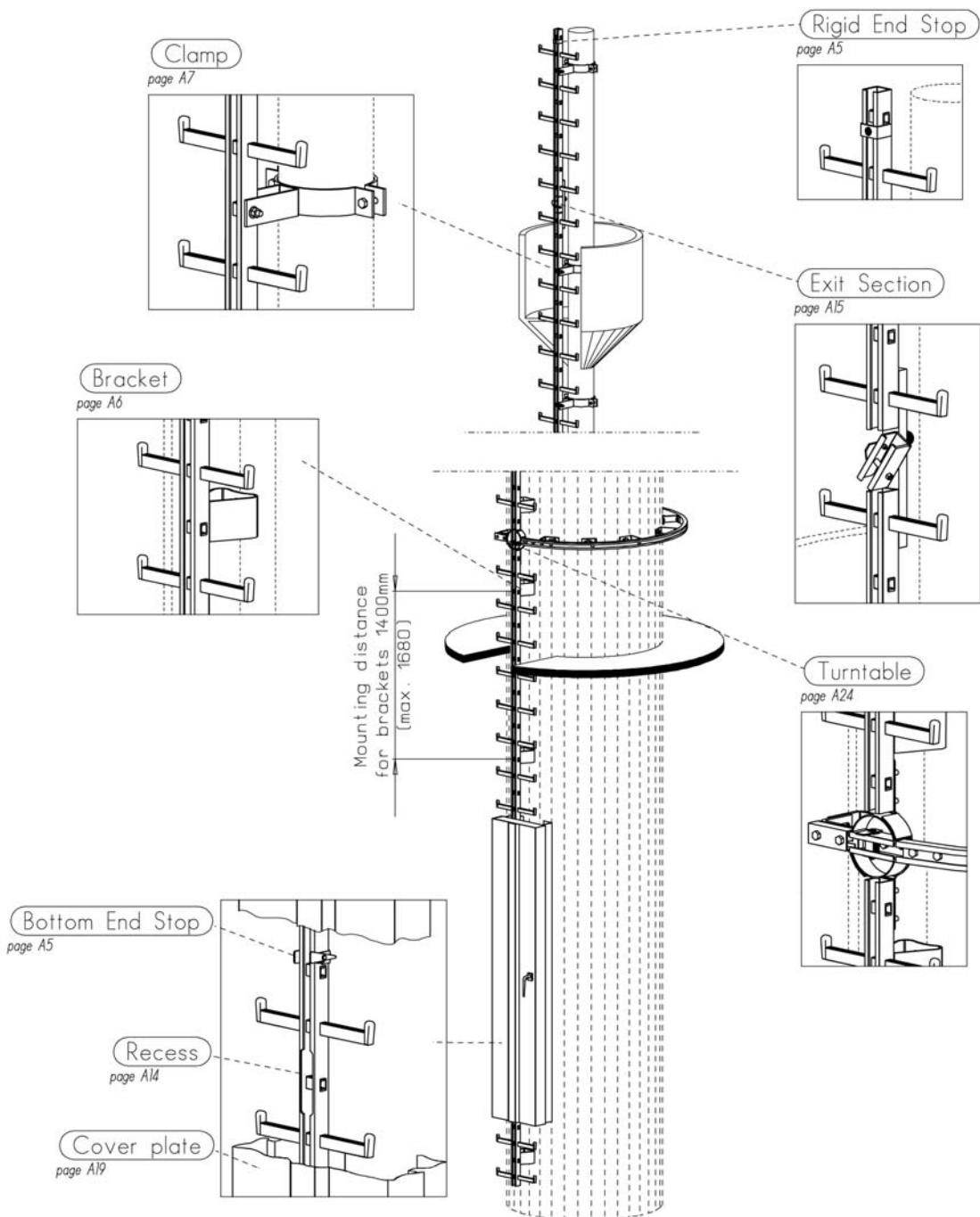
## Examples for the Application



Technical specifications are subject to change without notice.

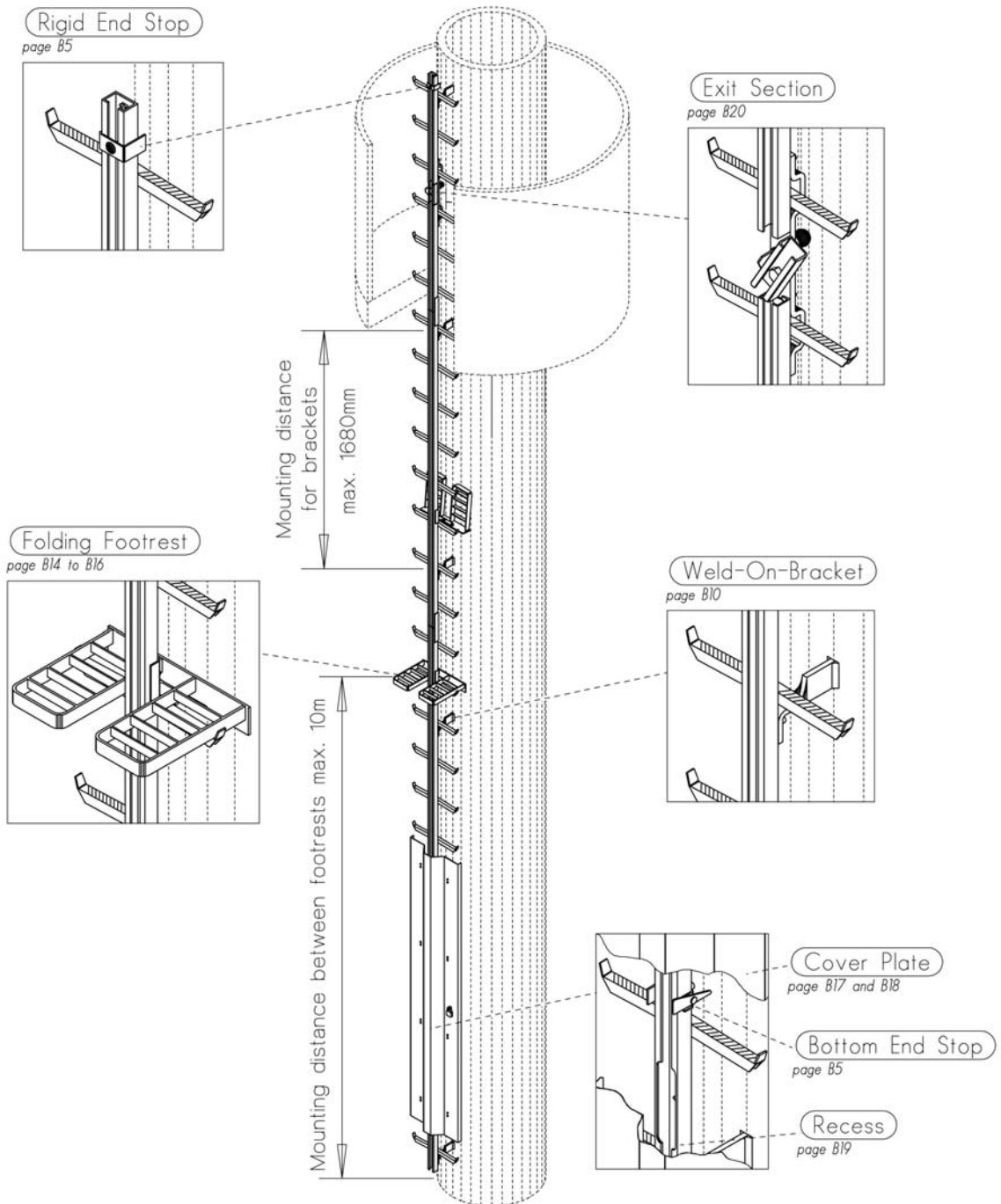
# Safety Ladders: Made of Aluminium

## Examples for the Application



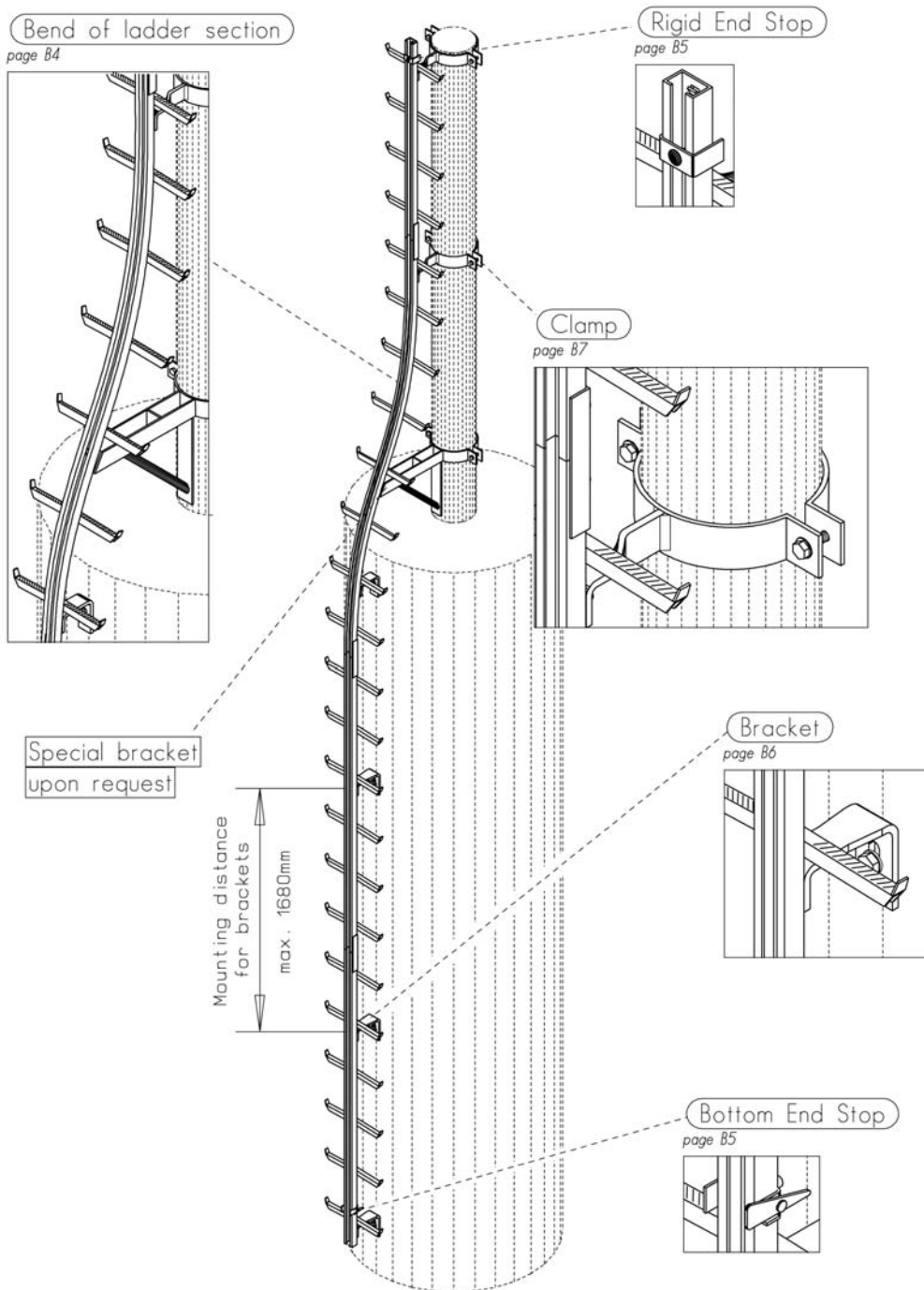
Technical specifications are subject to change without notice.

# Safety Ladders: Hot Dip Galvanized/Stainless Steel Examples for the Application



Technical specifications are subject to change without notice.

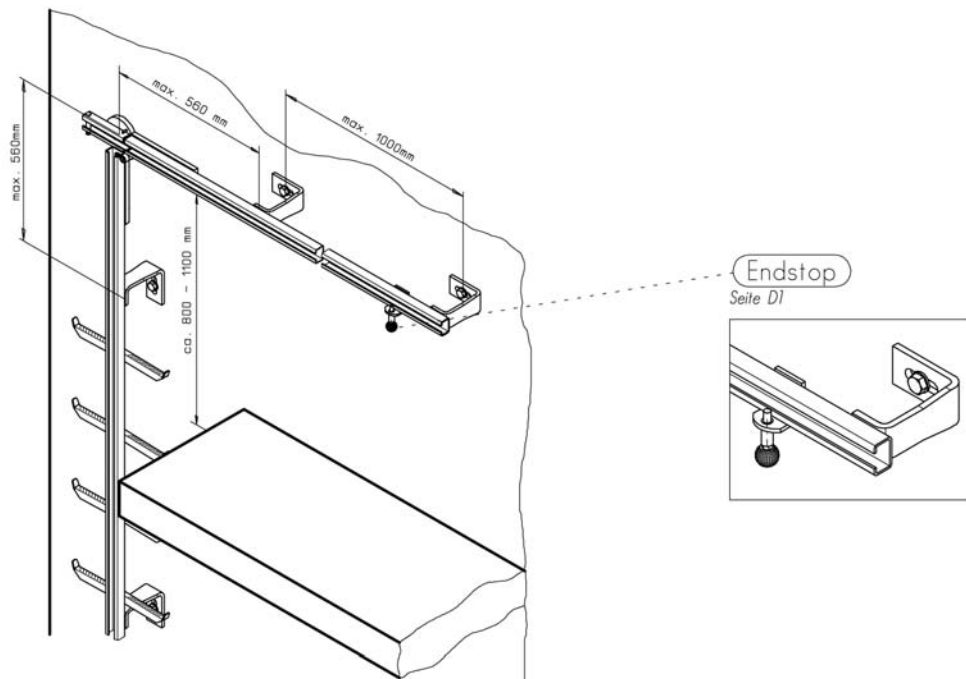
# Safety Ladders: Hot Dip Galvanized/Stainless Steel Examples for the Application



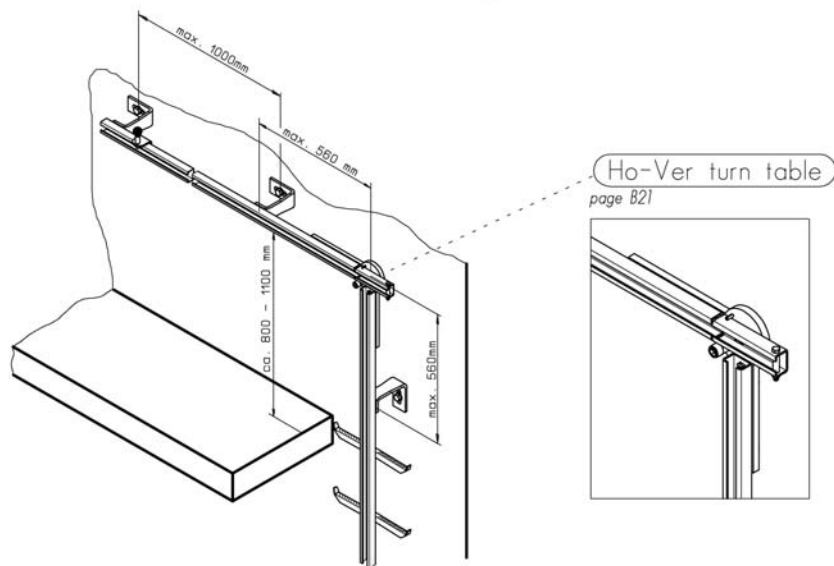
Technical specifications are subject to change without notice.

# Safety Ladders: Hot Dip Galvanized/Stainless Steel Examples for the Application

Horizontal rail runs to the right



Horizontal rail runs to the left

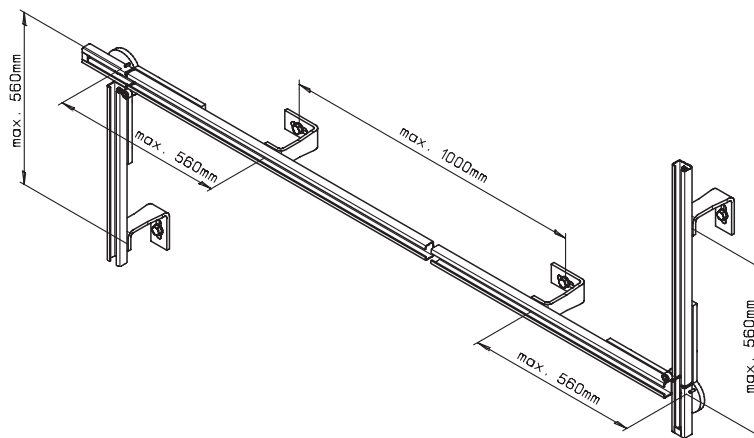


Technical specifications are subject to change without notice.

## Safety Ladders: Hot Dip Galvanized/Stainless Steel Examples for the Application

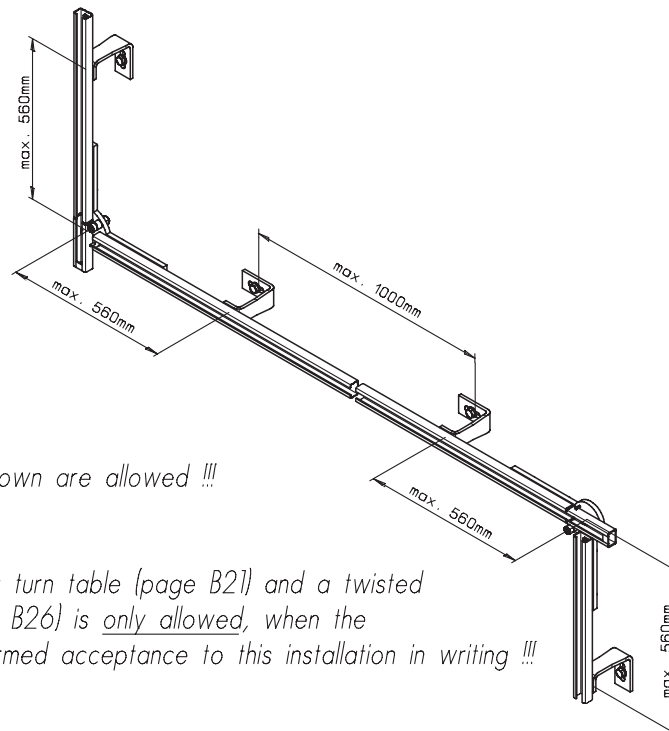
### Combination with two Ho-Ver turn tables

Variant 1



### Combination with two Ho-Ver turn tables

Variant 2



Warning!

Only installations as shown are allowed !!!

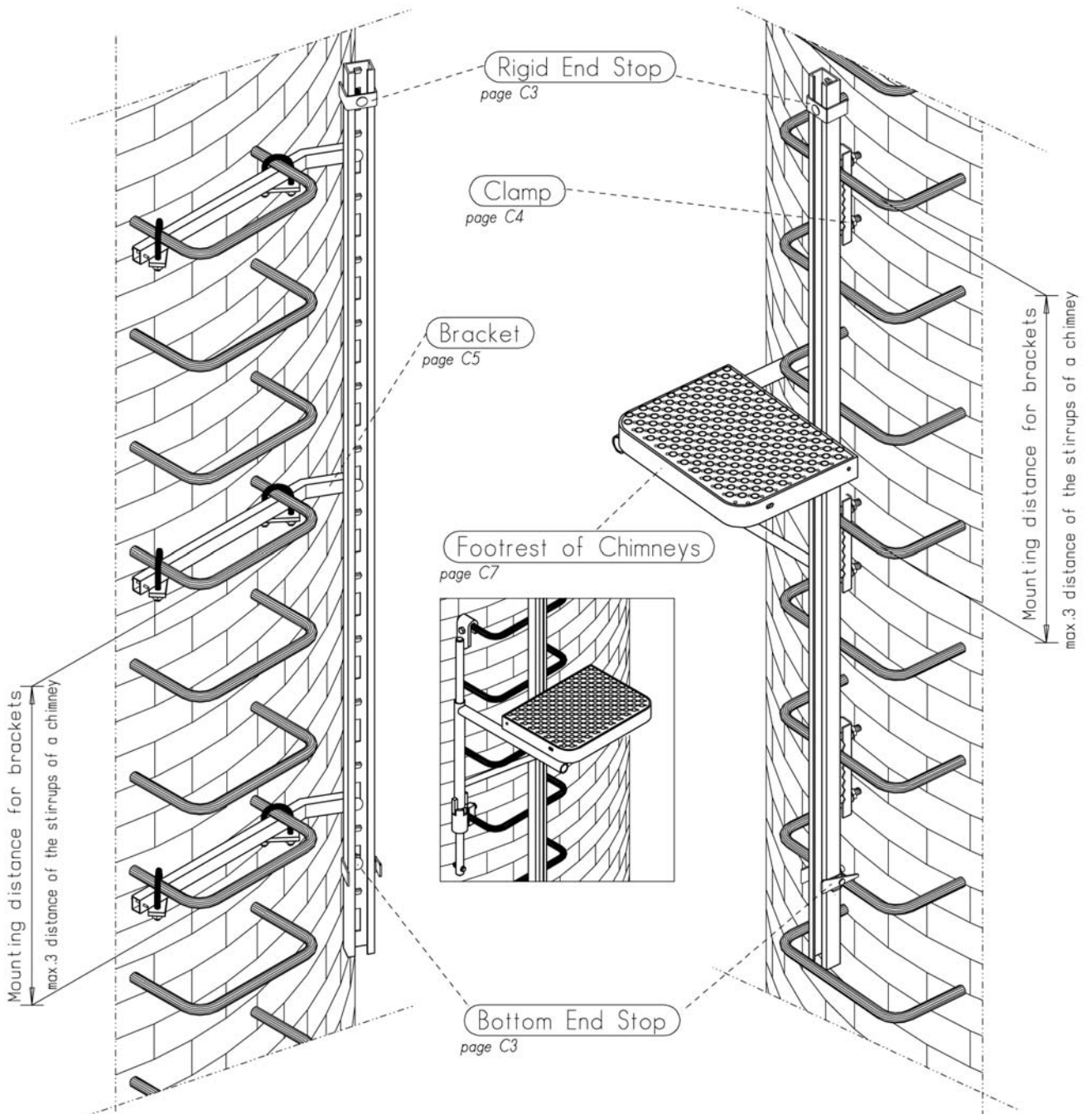
Exemption:

The combination with a turn table (page B21) and a twisted change over rail (page B26) is only allowed, when the manufacturer has confirmed acceptance to this installation in writing !!!

Technical specifications are subject to change without notice.

# Guide Rails: Vertical

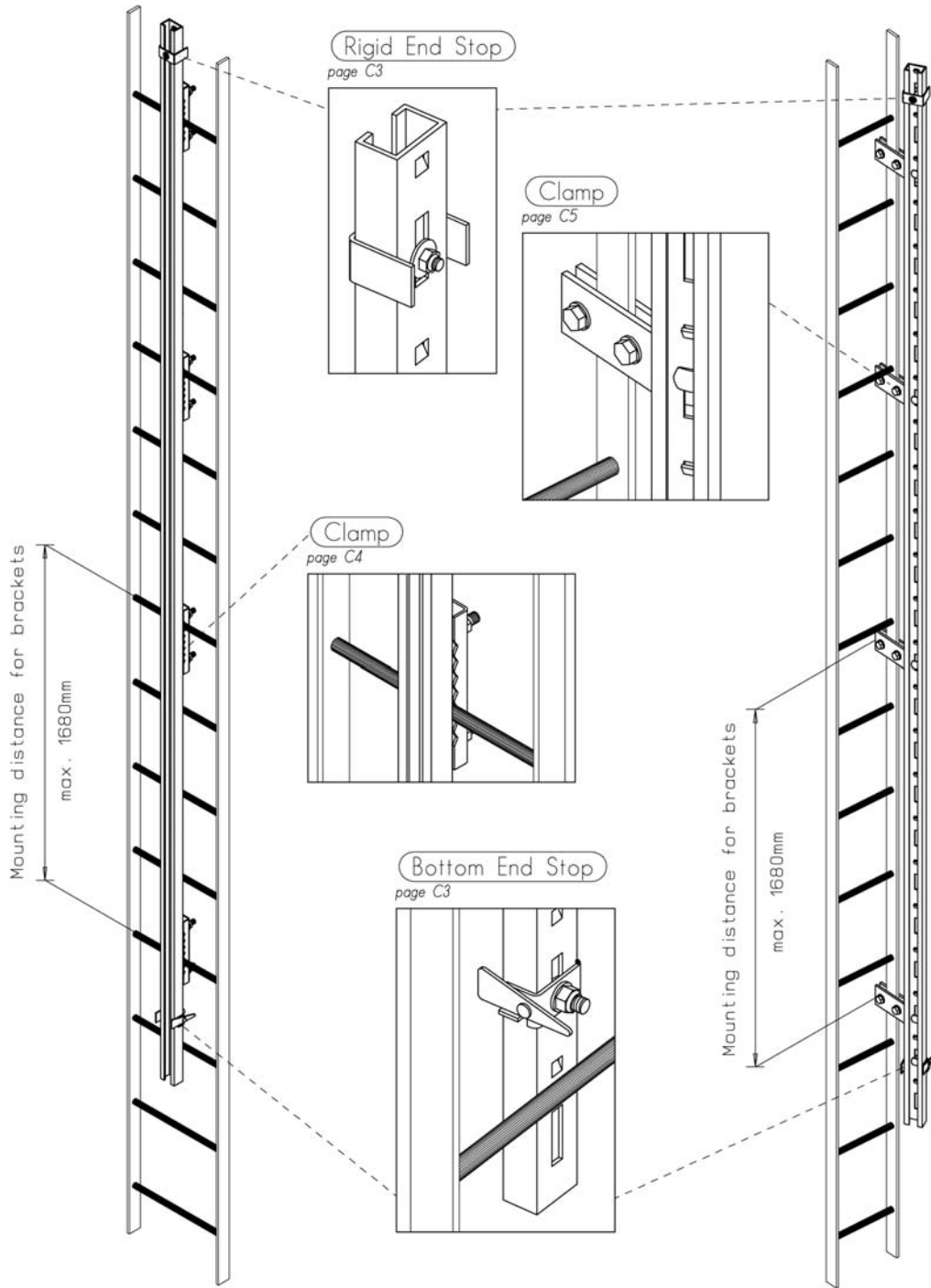
## Examples for the Application



Technical specifications are subject to change without notice.

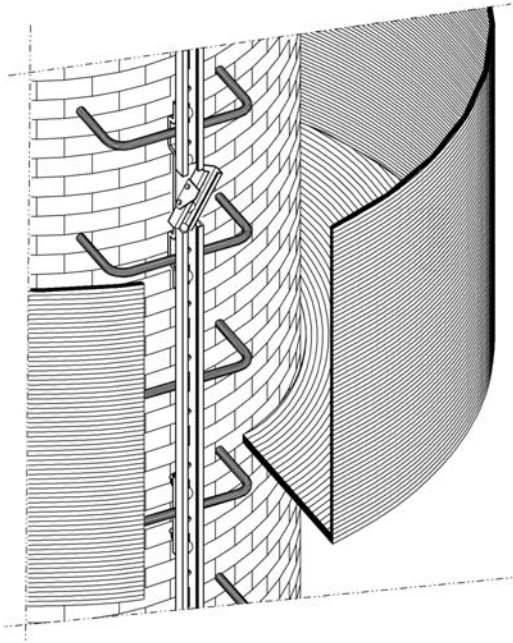
# Guide Rails: Vertical

## Examples for the Application



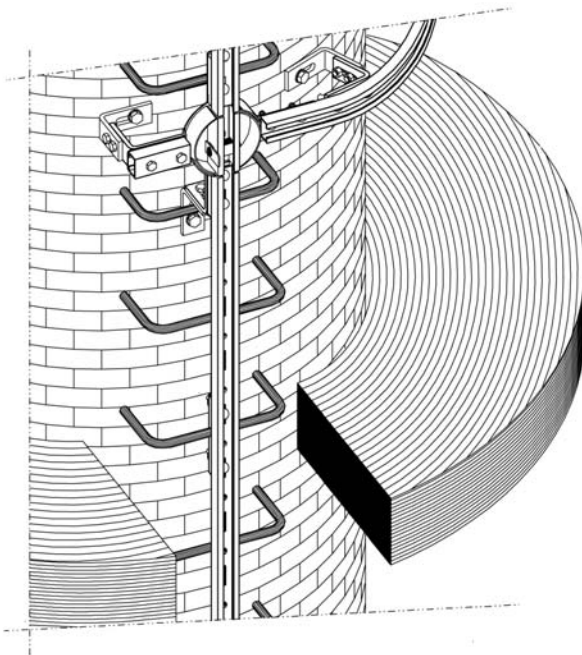
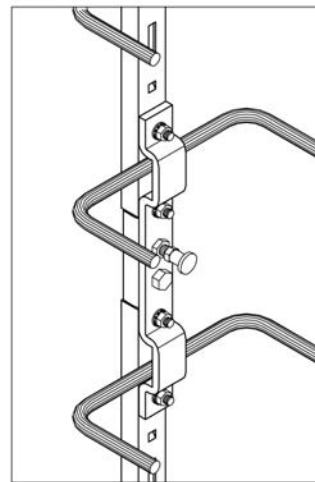
Technical specifications are subject to change without notice.

## Guide Rails: Vertical Examples for the Application



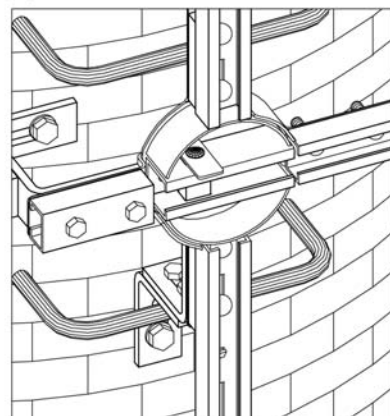
Exit Section

page C8



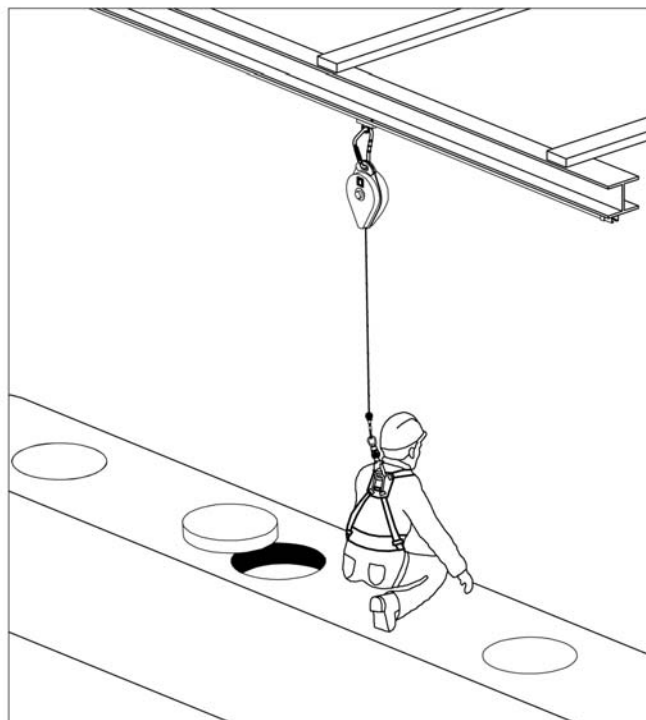
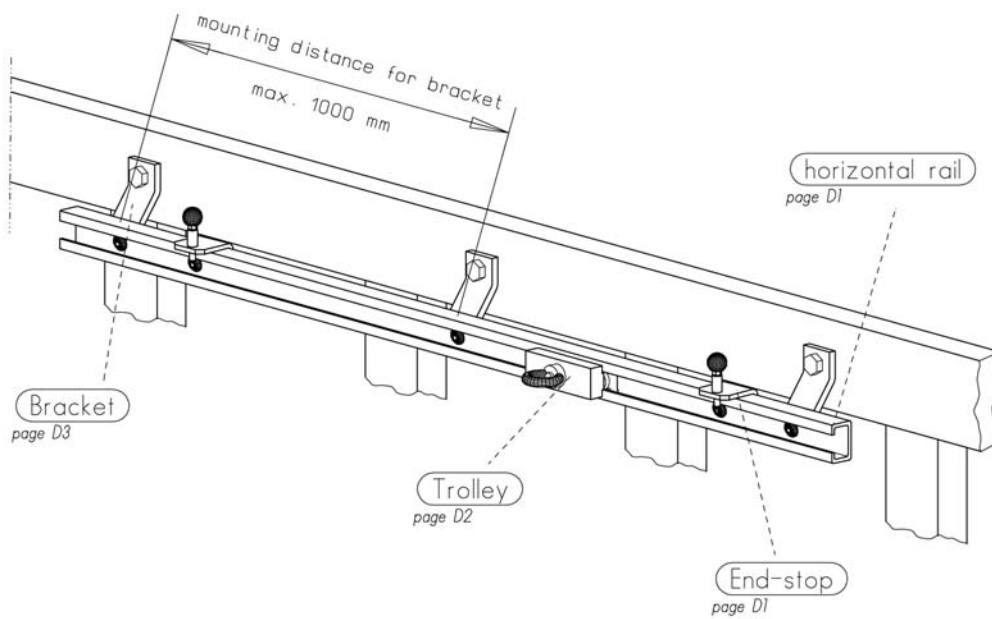
Turntable

page C9



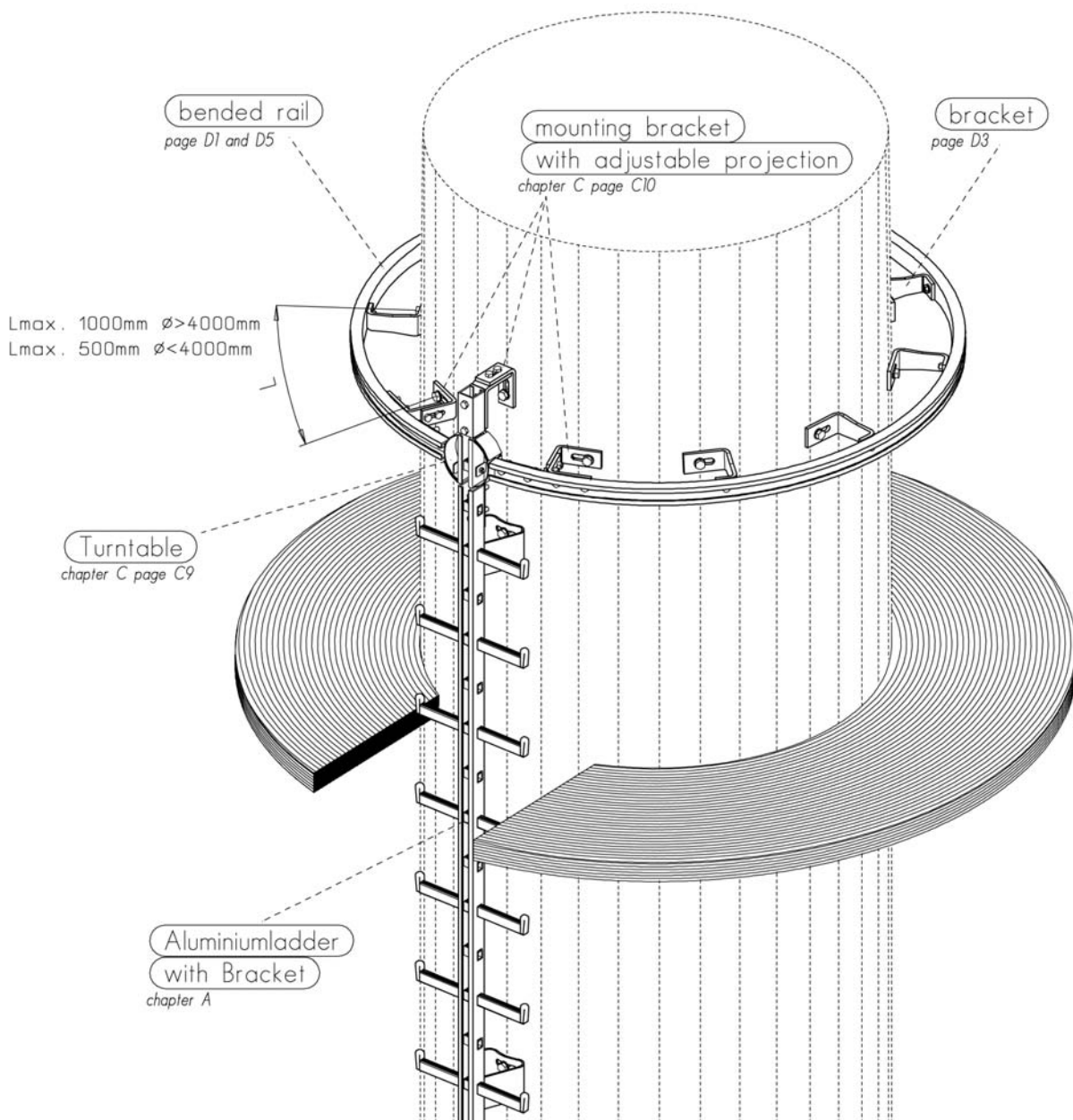
Technical specifications are subject to change without notice.

# Anchorage Devices Examples for the Application



Technical specifications are subject to change without notice.

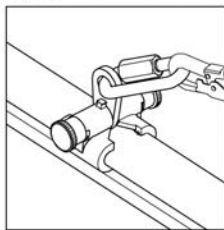
# Anchorage Devices Examples for the Application



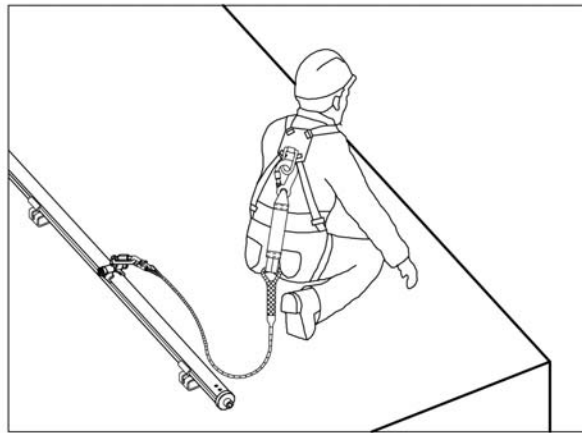
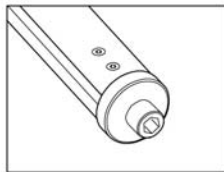
Technical specifications are subject to change without notice.

# Anchorage Devices: MultiRail Examples for the Application

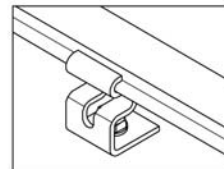
Openable glider  
page G7



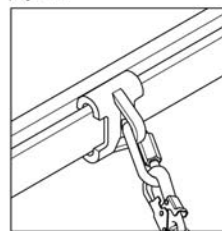
Rail end-stop  
page G1



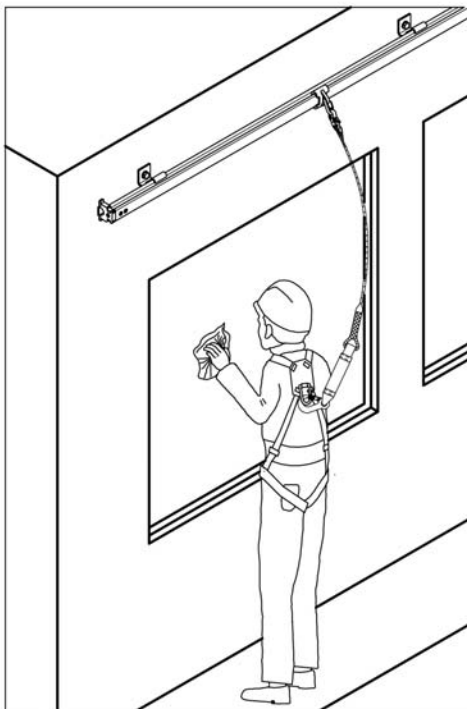
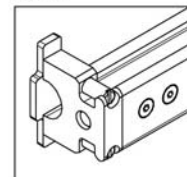
Bracket  
page G5



Closed Glider  
page G7



Rail end-stop, with exit  
page G1



Technical specifications are subject to change without notice.