

Assembly, Installation and Operating Instructions for the anchor device according to EN 795 „Söll-MultiPost, Söll-MultiPost-AP“

Part no: MP-

Serial number: _____

Date of manufacture: _____

(The following must be completed by the operator in permanent waterproof ink.)

Date of initial operation: _____

Operator/user: _____

Street: _____

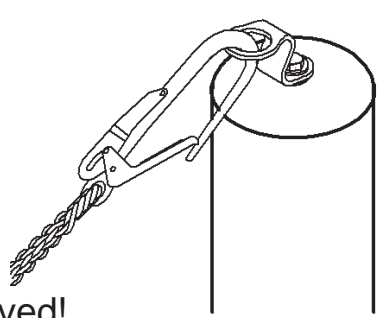
Place: _____

Tel: _____ Fax: _____

Issue: 19.06.2009

SE 59




Technical modifications reserved!



Contents

A Safety precautions	3
B Assembly/Installation	4
C Application	9
D Care and Maintenance	11
E Checklist	13

Explanation of symbols

	<p>Danger !</p> <p>Improper or careless handling could cause accidents leading to falls or even death.</p>
	<p>Warning !</p> <p>Non-observance could result in serious injury.</p>
	<p>Important !</p> <p>Useful information and user tips are given here.</p>

General information

These installation instructions and directions for use refer to those parts of the product that are relevant to safety. The product actually delivered may differ from the version described and illustrated here due to the addition of accessories (e.g. assembly, sealing and heat insulation accessories).

These instructions are protected by copyright!

They may not be reproduced and distributed in any ways/ by any means without prior written consent of the author according to Articles 16 and 17 of the German Copyright Act. Sperian Fall Protection Deutschland GmbH & Co. KG will prosecute any violations against this under Article 106 of the German Copyright Act.


A Safety precautions

- A 1. These instructions must be brought to the attention of any employee using the Söll „MultiPost, MultiPost-AP“ anchorage device for personal protection before he begins to use the device. Action contravening these instructions put people’s lives at risk! Operatives must be given training covering these instructions and the user information before starting work and at regular intervals thereafter, but at least once a year.
- A 2. The owner of the anchorage device must ensure that this instruction
- either is kept easily available and well preserved at place of installation
 - or that the system owner keeps the instructions at a location well known and always easily available to a user of the system.
- A 3. The operator must be able to present these instructions at the request of the manufacturer (Sperian Fall Protection Deutschland GmbH & Co. KG or one of its authorised dealers).
- A 4. If other personal protective equipment is used to provide protection against falls or as restraining or rescue devices and this equipment is linked or fitted to the Söll „MultiPost, MultiPost-AP“ anchorage device, it is essential that the relevant operating instructions issued by the operative’s employer and the directions for use and user information provided by the relevant manufacturer are observed. This is particularly necessary if the Söll „MultiPost“ is used in conjunction with EN 795-compliant anchorage devices of classes C and D.
- A 5. Precautions for suitable rescue action must be taken before and during operations in areas presenting a risk of falls.
- A 6. The Söll „MultiPost, MultiPost-AP“ anchorage device must only be used for the intended purpose, and not for instance as a transport anchor or for slinging loads.
- A 7. The site manager of the assembly firm must fill in the checklist (Section E) clearly and correctly using a permanent marker pen.
- A 9. The system has been certified by EXAM BBG Prüf- und Zertifizier GmbH, Dinnendahlstraße 9, 44809 Bochum.

B Assembly/Installation

B 1. If the „MultiPost-AP“ is used as a single anchorage point, the distance from the edge of the roof must be at least 2.50 m (in accordance with BGR 203, Roof works).

B 2. Important !

 Before installation, you must make sure that the element to which the Söll „MultiPost, MultiPost-AP“ is secured can withstand the stresses that can occur in the event of a fall (proof of stability). This must be documented in writing by a qualified engineer.

The cross-sections of the components as indicated in the product documentation are minimum values for introduction of the load and are not to be regarded as proof for the above purpose. Otherwise the generally recognised rules of the art apply.

Fig. B 1

B 3. Type 1 – Installation on reinforced concrete (Fig. B1)

Component requirements:

The minimum quality of concrete and the minimum ceiling thickness d depend on the uses for which the fixings are permitted.

Other assembly accessories required:

The Söll anchorage point must only be secured with **fixings generally approved by building authorities or meeting European technical standards** for reinforced concrete.

Assembly:

The fixings must be fitted in accordance with the manufacturer's instructions.

Fig. B 1

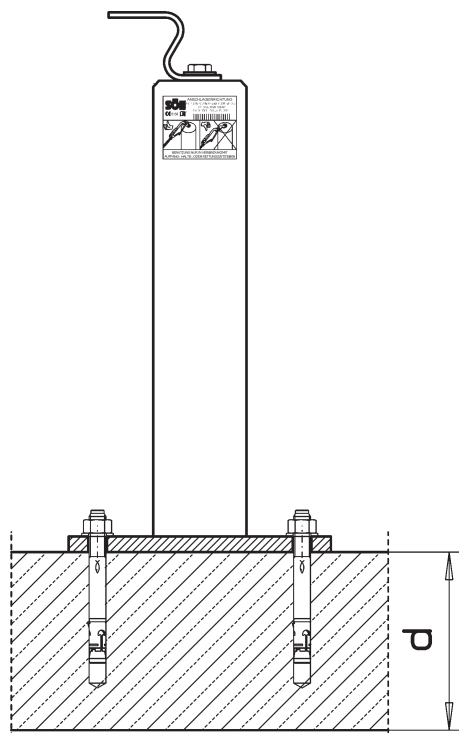


Fig. B 2

B 4. Typ 2 – Installation directly on steel girders or on a lightweight concrete ceiling and steel girders (Fig. B2)

Component requirements:

Width of steel girder:	min. b=80 mm, max. b=175 mm
Depth of concrete ceiling:	min. d= 100 mm
Total height of component to be covered:	max. h = 930 mm

Assembly accessories supplied:

1 backplate	(Pos.1)
4 threaded rods, M12	(Pos.2)
8 washers, small	(Pos.3)
8 washers, large	(Pos.4)
8 hexagon nuts, M12	(Pos.5)
8 hexagon nuts, M12, self-locking	(Pos.6)

Assembly:

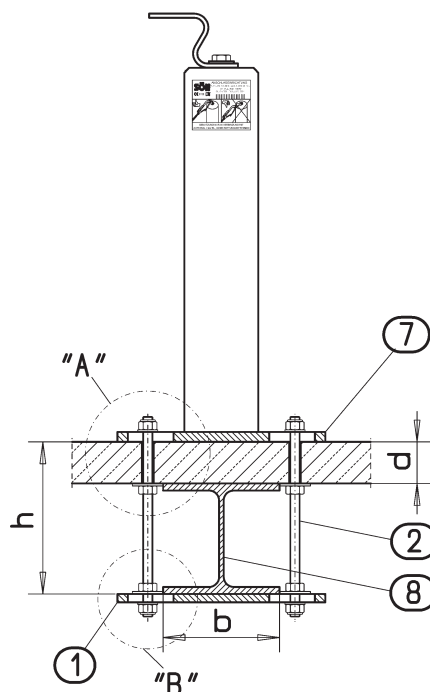
Align the „MultiPost“ footplate (Pos.7) in such a way that the slots are perpendicular to the axis of the steel girder (Pos.8) and the „MultiPost“ is located centrally on the steel girder.

Align the threaded rods (Pos.2) in the slot in such a way that the lock nuts are as close as possible to the flange of the steel girder. **(Detail A+B)**

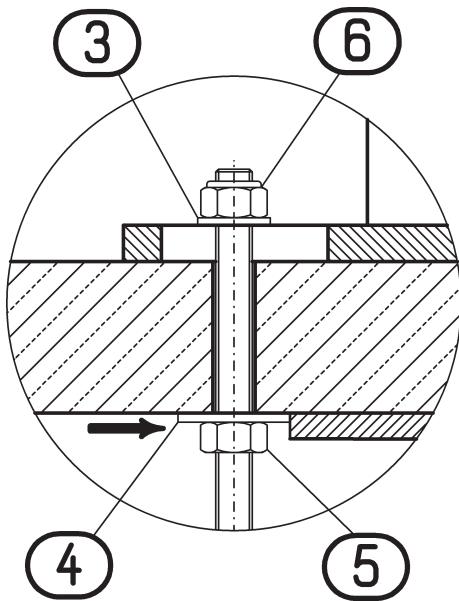
If installing on a lightweight concrete ceiling: Drill 4 holes of Ø14 mm into the ceiling.

Use the supplied threaded rods, the footplate and the backplate to clamp round the steel girder and possibly the lightweight concrete ceiling, then lock with the M12 hexagon nuts. The self-locking nuts (Pos.6) and washers (Pos.3) must be on the outside. See also detail A+B.

Fig. B 2



Detail A



Detail B

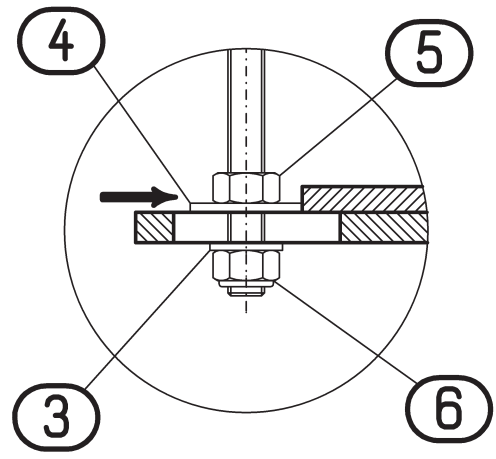


Fig. B 3

B 5. Typ 3 - Installation on wooden beams or on a wooden joist ceiling (Fig. B3)

The Söll „MultiPost“ is secured to the wooden beam by means of a mechanical wood fastener complying with DIN 1052-2 and should therefore only be installed by a specialist joiner.

Component requirements:

Minimum wood grade:	Solid wood S10/MS10, BSH BS11
Width of beam:	min. b=80 mm, max. b=150 mm
Height of beam:	min. h= 150 mm
Roof boarding:	max. d= 32mm

Assembly accessories supplied:

- 2 mounting straps (Pos. 1)
- 2 hexagon bolts, M20 (Pos.2)
- 2 hexagon nuts, M20
- 2 washers, A21
- 4 GEKA dowels Ø80 (Pos.3)
- 4 hexagon bolts, M12
- 8 washers, A13
- 4 hexagon nuts, M12

Assembly:

Drill 2 holes of Ø21 mm through the wooden beam (Pos.5) using the template for the mounting straps (Pos. 1). Press the GEKA dowels (Pos.3) into the beam. Secure the mounting straps to the beam by means of M20 hexagon bolts (Pos.2) and GEKA dowels.

If the roof is boarded:

Drill 4 holes of Ø13 mm into the roof boards (Pos.6) using the template for the mounting straps (Pos. 1).

Fix the „MultiPost“ footplate (Pos.4) to the straps (Pos. 1) by means of 4 M12 bolts.

Fig. B 3

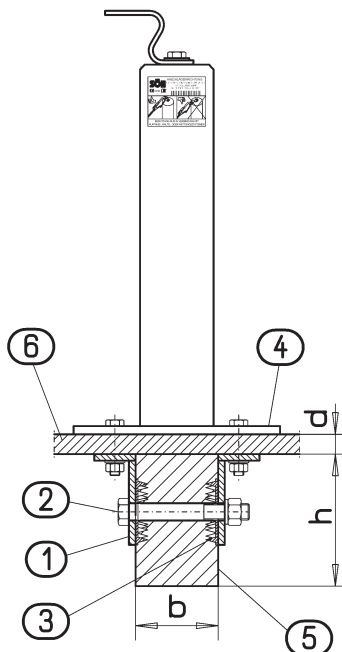
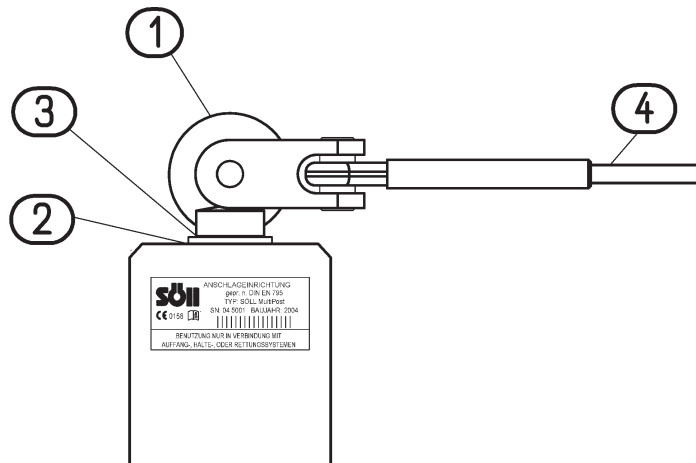


Fig. B 4**B 6. Installing end anchorages for anchorage devices with a horizontally movable guide (rope systems) (Fig. B4)**Optional assembly accessories available:

- 1 eye bolt, M12 (Pos.1)
- 1 washer, large (Pos.2)
- 2 shim rings (Pos.3)

Assembly:

Fit the eye bolt (*Pos. 1*) and the washer (*Pos.2*) on the headplate of the „MultiPost“, and if necessary align the eye bolt in the rope axis (*Pos.4*) using 1 or 2 shim rings (*Pos.3*), then tighten. If the „MultiPost“ is fitted with the optional heat insulation accessory, assembly is done in the same way but without the washer (*Pos.2*).

Fig. B 4

C Application

- C 1. If „Multi-Post-AP“ is used as the sole anchorage point, a maximum of 2 people can be protected against falls.
- C 2. If installing horizontally movable or rigid guide rails, the max. number of operatives given for the particular system applies. **The characteristic force introduced into the „MultiPost“ through these systems must not under any circumstances exceed 15.0 kN.**
- C 3. If working in areas presenting a risk of falls, make sure that the operative is in a safe and stable position. Avoid anything in the access or working area that might cause stumbling.
- C 4. A visual inspection for obvious defects and functional capacity must be carried out before and on each use of the device.
- C 5. The lifting eye of the „MultiPost-AP“ is pivoted, allowing 360° freedom of movement around the anchorage point. It also acts as an additional damping element and drop indicator.

C 6. **Warning !**

You must stop using the anchorage device immediately if



- it is found to have defects;
- the lifting eye can no longer be rotated easily;
- the lifting eye has been subjected to stress from a fall;
- the installed horizontally movable or rigid guide rail has been subjected to stress from a fall.

In these cases the anchorage device must be inspected by an expert and, where necessary, parts must be exchanged by an installation company approved by the manufacturer.

- C 7. The Söll „MultiPost, MultiPost-AP“ may only be used in conjunction with the following safety accessories:
- For work presenting a risk of falls, EN 363-compliant fall arrester systems and EN 355-compliant shock absorbers;
 - For workplace positioning, EN 358-compliant restraining systems;
 - Rescue systems complying with EN 1496, 1497 and 1498.

C 8. **Danger !**



The system of personal protective equipment providing protection against falls (only with shock absorbers), the restraining system or the rescue system that is chosen must be capable of preventing the operative from hitting the ground or colliding with other obstacles. Please refer also to the user information provided by the relevant manufacturer.

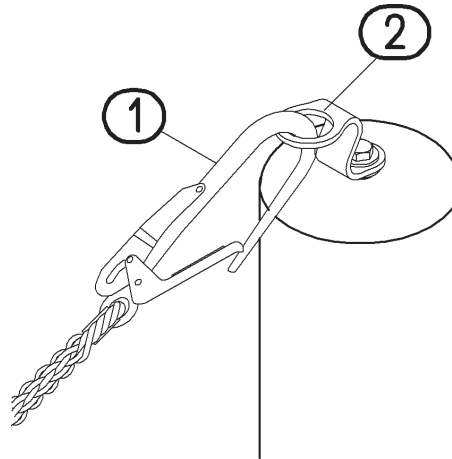
Fig. C 1

C 9. Important !



To protect against falls (**Fig. C1**), attach the snap hook of the lanyard (*Pos. 1*) to the colour-coded lifting eye (*Pos.2*) or the movable anchorage point of the horizontal guide and lock it against inadvertent detaching.

Fig. C 1



C 10. Danger !



The snap hook of the lanyard (*Pos. 1*) must not be detached from the lifting eye (*Pos.2*) or from the movable anchorage point of the horizontal guide until the operative is protected against falls by some other means.

D Care and Maintenance

- D 1. For safety reasons do never repair components. Damaged components (e.g. after a fall) shall always be replaced.
- D 2. Only original spare parts or spare parts approved by the manufacturer may be used in repairs.
- D 3. The „MultiPost, MultiPost-AP“ must be inspected for perfect condition by an expert as required according to the conditions of use and operational situation, but at least **once a year** (pursuant to BGR 198).

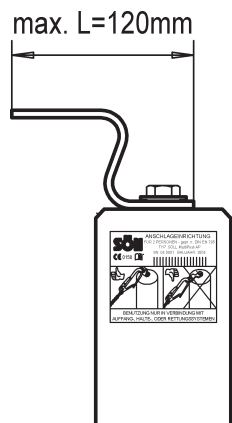
Fig. D 1

D 4. Important !

A lifting eye that is deformed beyond the level caused by wear and tear is an indication of previous stress from a fall or of improper use. The wear and tear limit is reached if dimension „L“ is greater than **120mm. (Fig. D1)**



Fig. D 1



L > 120mm => Stop using the anchorage device!

D 5. Warning !



An anchorage device that is deficient or has been subjected to stress from a fall must not be used any longer. It may only be used again if an expert has approved its further use.

D 6. Important !



The M12 hexagon bolt for the lifting eye and for anchoring the horizontally movable or rigid guide must be tightened to a **tightening torque $M_V = 60 \text{ Nm}$** .

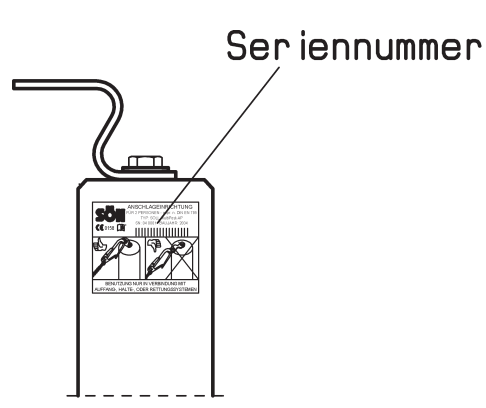
Competent person is a:

person who thanks to his education and experience in the field of personal protective equipment against falls from height has sufficient knowledge about applicable state and local safety regulations, applicable standards (e.g. EN-standards) and is thus capable and thus authorized by Söll of judging the correct status and use of systems and products against falls from height.

Fig. D 2

D 7. The identification plate (**Fig. D2**) is located at the upper end of the support tube and contains the following information:

- Manufacturer, supplier or importer of the anchorage device
- Type code
- Number of users
- Year of manufacture
- Serial number
- Pictogram advising the operative to read the directions for use.
- Note: Only use the anchorage device in conjunction with fall arrester systems, restraining systems or rescue systems.

Fig. D 2**Attention!**

There must always be an identification plate.

E Check list for the inspection of Söll-GlideLoc anchorage device according to EN 795 Söll „MultiPost, MultiPost-AP“

Part No. MP-

The check list on pages 13 and 14 must be fully and correctly compiled by the chief engineer of the installing company by means of an indelible pen. He is responsible for the correctness of all the information provided therein. Check points which are characterized by defects or deviate from the description must be described in the list on page 14.

Control Activity

Remarks

(please cross)

yes no

• All screwed connections are properly tightened	<input type="checkbox"/>	<input type="checkbox"/>
• The tightening torque of 60 Nm for the M12 hexagon bolt for the lifting eye and for anchoring the horizontally movable or rigid guide was checked.	<input type="checkbox"/>	<input type="checkbox"/>
• Only anticorrosive bolt connections have been used.	<input type="checkbox"/>	<input type="checkbox"/>
• If used as the sole anchorage point, the „MultiPost-AP“ was located at least 2.50m from the drop edge.	<input type="checkbox"/>	<input type="checkbox"/>
• No deformation as described in Section D can be seen in the lifting eye.	<input type="checkbox"/>	<input type="checkbox"/>
• A Söll-system sign is posted.	<input type="checkbox"/>	<input type="checkbox"/>
• Static evidence for the fixing of the anchorage device is available.	<input type="checkbox"/>	<input type="checkbox"/>
• Test climbing has taken place.	<input type="checkbox"/>	<input type="checkbox"/>
• This manual was handed over to the operator.	<input type="checkbox"/>	<input type="checkbox"/>
• Only original components from Sperian Fall Protection Deutschland GmbH & Co. KG were used.	<input type="checkbox"/>	<input type="checkbox"/>

